

2 x 15" rear horn loaded (scoop) bass enclosure

Application

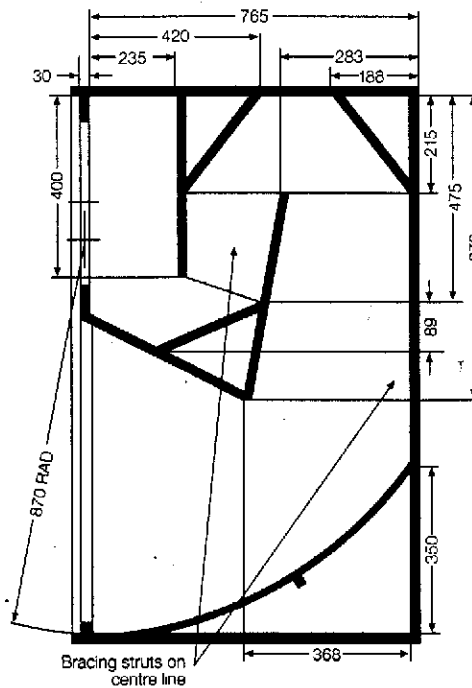
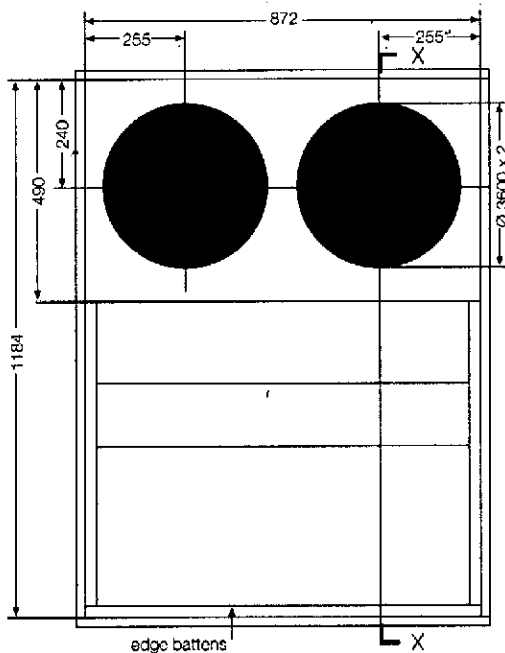
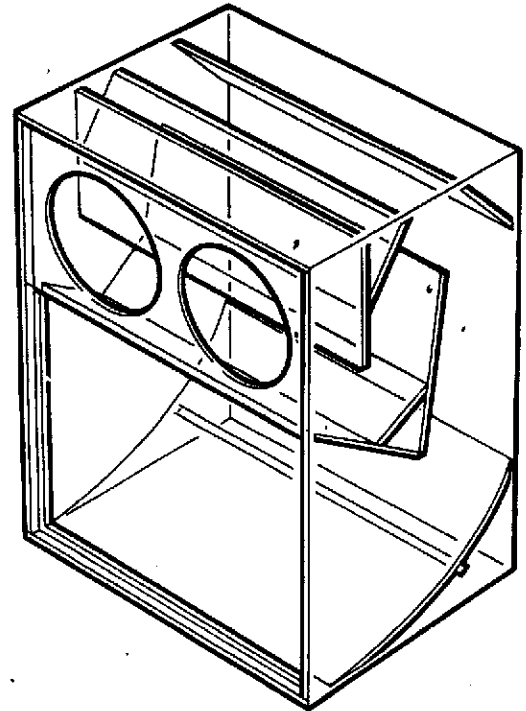
A larger rear horn loaded bass bin more suitable for fixed installations where punch and good efficiency are required. The cabinet requires supplementary mid and high enclosures to provide a full range system.

Effective Volume

850 litres (30 cubic feet).

Loudspeakers

- 2 x ME 15/300 cone bass drivers
- 2 x ME 15/300LF cone bass drivers
- 2 x PS 15/200 cone bass drivers
- 2 x PS 15/300 cone bass drivers



Sheet Material Requirements:
1,21 x 6,65 m (4.0' x 22.0')

